


GHDS-10S Self-Close Stay

Downward opening · Self and soft closing

Opening Direction	Description	Non-handed	Model	Maximum Door Moment
 Downward-opening	Self-close With Catch For Use in Pairs	-	K	5.9~9.3 N·m/2 pcs (60~95 kgf·cm/2 pcs)
			M	9.3~12.7 N·m/2 pcs (95~130 kgf·cm/2 pcs)
			H	10.8~15.7 N·m/2 pcs (110~160 kgf·cm/2 pcs)
			S	13.7~17.6 N·m/2 pcs (140~180 kgf·cm/2 pcs)

Features

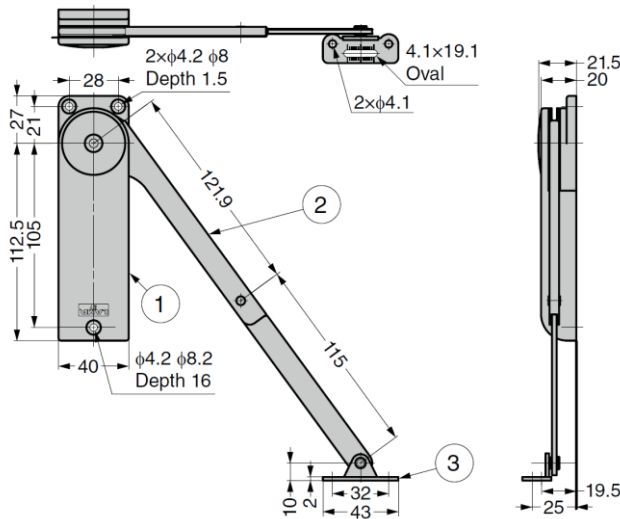
- Self and soft closing for downward-opening lids
- Opens automatically after a small impulse
- Self-closes after a small impulse
- Holds door in fully closed or fully opened position
- For door hinge, piano/butt hinge or 3-way adjustable drop hinge **GSDH-001** is suitable
- Passed 30,000 life cycle test

Notes

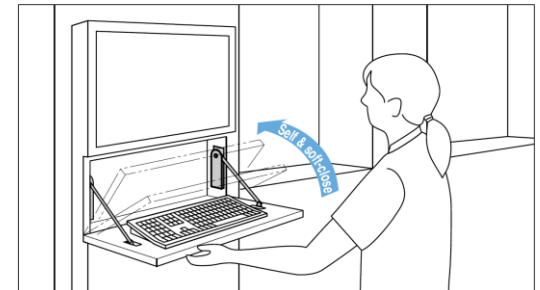
- Operating temperature: 0°C ~ 40°C
- Used in pairs
- When placing objects or working on the surface of opened door, install a brace or reinforcement material to support the door in addition to the stay
- Do not open and close the door roughly

Parts Included

- Mounting plate
- Binding head tapping screw 3.5×15



No.	Part Name	Material	Finish
①	Body	ABS	Black, White
②	Arm	Steel (SPCC)	Nickel
③	Mounting Plate		



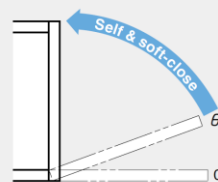
Applicable Range

- Choose from 4 types according to maximum door moment
- Maximum Door Moment (N.m) = Door weight (kg) × 9.80665 × Distance from rotation centre to door centre of gravity (m)

Maximum door moment N · m	Model	Qty
5.9~ 9.3	K	2 pcs
9.3~12.7	M	
10.8~15.7	H	
13.7~17.6	S	

Self & Soft-close

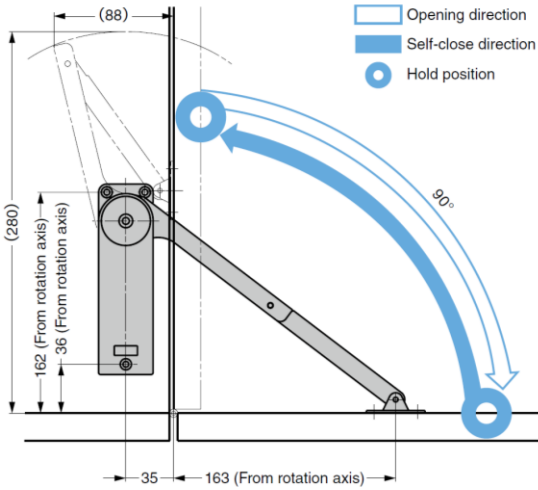
Self-closes after a small impulse.



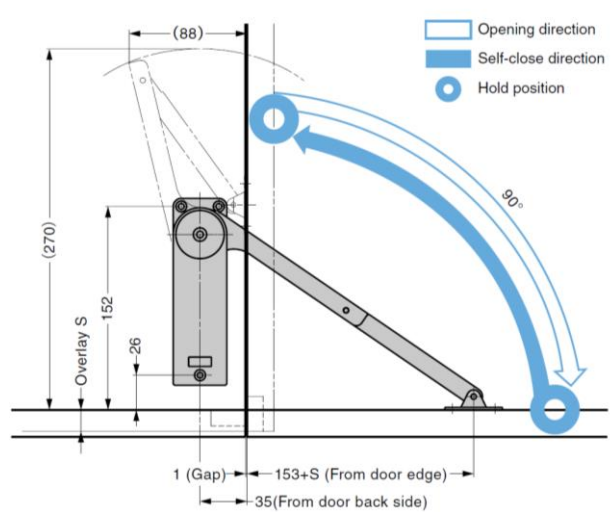
Model	Self & Soft-close Starting Angle θ
K	5° ~35°
M	5° ~20°
H	5° ~20°
S	5° ~15°

Installation Illustration: Right side installation for downward-opening 90°. Left side installation is symmetrical

With single knuckle hinge



With drop hinge



Part No.	Type	Material	Finish	Model	Maximum Door Moment (per pair)	
GHDS-10S-KL-BL	Left-handed	ABS / Steel	Nickel / Black	K	5.9 ~ 9.3 N.m	60 ~ 95 kgf.cm
GHDS-10S-KL-WT			Nickel / White			
GHDS-10S-KR-BL	Right-handed		Nickel / Black			
GHDS-10S-KR-WT			Nickel / White			
GHDS-10S-ML-BL	Left-handed		Nickel / Black	M	9.3 ~ 12.7 N.m	95 ~ 130 kgf.cm
GHDS-10S-ML-WT			Nickel / White			
GHDS-10S-MR-BL	Right-handed		Nickel / Black			
GHDS-10S-MR-WT			Nickel / White			
GHDS-10S-HL-BL	Left-handed		Nickel / Black	H	10.8 ~ 15.7 N.m	110 ~ 160 kgf.cm
GHDS-10S-HL-WT			Nickel / White			
GHDS-10S-HR-BL	Right-handed		Nickel / Black			
GHDS-10S-HR-WT			Nickel / White			
GHDS-10S-SL-BL	Left-handed		Nickel / Black	S	13.7 ~ 17.6 N.m	140 ~ 180 kgf.cm
GHDS-10S-SL-WT			Nickel / White			
GHDS-10S-SR-BL	Right-handed		Nickel / Black			
GHDS-10S-SR-WT			Nickel / White			